

MOUNTING REFERENCE GUIDE



COMPUTER HARDWARE FLAT PANEL VESA QUICK RELEASE



CIM Cable Integrated Mounting System



CONTENT

General notes	3
How to create part numbers	4
VESA adapter plate quick release	6
Product highlights	7
Flush mount	8
Support arm pivot	10
Articulating arm	12
Height adjustable arm	14
Articulated height adjustable arm	16
High position height adjustable arm	18
High position articulated height adjustable arm	20
Counter top	22
Counter top for heavy monitors	24
Cart Light Duty	26
Fixings	28



GENERAL NOTES

Monitor Adaptations

The monitor adaption VESA 75 quick release (Q) respectively VESA 75/ 100 quick release (Q1) with an according adapter plate facilitates the quick change of a monitor.

Different supports for monitor mount VESA 75/ 100 (without quick release) can be found in our catalogue “Computer Hardware Flat Panel VESA 75/ 100”

Mounting Solutions for Anaesthesia Machines (A)

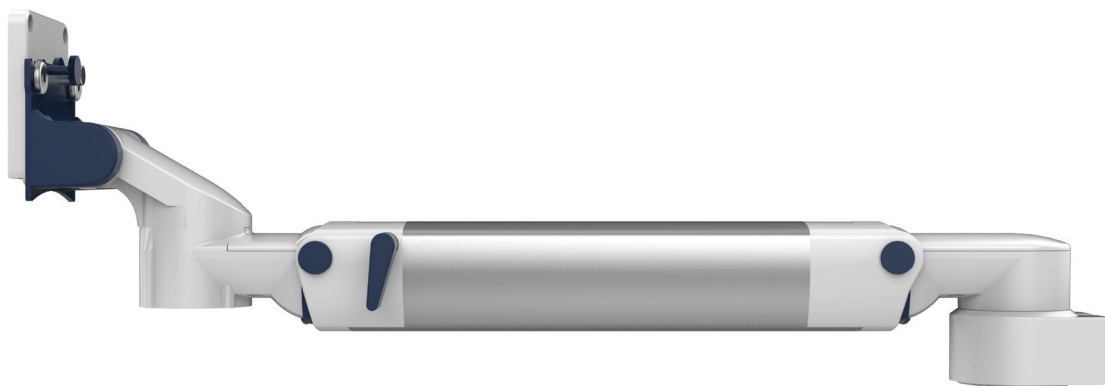
All CIM arms intended for use in combination with anaesthesia machines are delivered with components' grounding.

Custom-Designed Solutions

Please contact us for custom-designed solutions.

Product Marking

All CIM med® mounting solutions are CE marked, adhere to the regulations MDD 93/ 42 ECC and are conform with EN 60601-1, 3rd edition.





HOW TO CREATE PART NUMBERS

Part numbers can be easily created by following the steps below:

Please replace the letters in **green** with the part no. code as per your requirements.

1. Specify the area of application (Z):

S	=	ICU, ER, OR, PR
A	=	anaesthesia machine
M	=	MRI (only non-height adjustable arms)

2. Choose the arm version required:

910Q / 910Q1	=	flush mount
224Q / 230Q / 224Q1 / 230Q1	=	pivot arm
32424Q / 33030Q / 32424Q1 / 33030Q1	=	articulating arm
431Q / 431Q1	=	height adjustable arm
73130Q / 73130Q1	=	articulated height adjustable arm
531Q / 531Q1	=	high position height adjustable arm
83130Q / 83130Q1	=	high position articulated height adjustable arm

3. Specify where you want to mount the arm and select the fixing (Y):

1V	=	pole \varnothing 23 - 40 mm/ 0.9 - 1.6"
1	=	pole \varnothing 25 mm/ 1.0"
1F	=	pole \varnothing 35 mm/ 1.4"
1C	=	pole \varnothing 38 mm/ 1.5"
2	=	horizontal rail
2W	=	horizontal rail Uniflex, Duoflex, Modura (no distance to wall)
2K	=	horizontal rail Uniflex, Duoflex, Modura (with distance to wall)
3	=	vertical rail
3DR	=	dual vertical rails, distance 150 mm/ 5.9"
3TX	=	dual vertical rails, distance 225 mm/ 8.9"
4	=	anaesthesia machine with existing GCX channel (all suppliers)
4V	=	vertical wall channel
4V	=	Dräger/ GE/ Maquet anaesthesia machines without existing wall channel
8	=	lateral adapter to Trumpf klinoPORT ceiling pendant
81	=	lateral adapter to Trumpf ceiling pendant ML
82	=	lateral adapter to Trumpf klinoPORT frontal



HOW TO CREATE PART NUMBERS

- 9 = Heinen & Löwenstein anaesthesia machine
- 10 = Maquet FLOW i anaesthesia machine
- 11L = Philips IntelliSave AX700 anaesthesia machine - pivot, height adjustable arm
- 14L = Philips IntelliSave AX700 anaesthesia machine - articulating arms for monitoring
- 14R = Philips IntelliSave AX700 anaesthesia machine - articulating arms for PDMS

4. Choose the colour requested for decorative parts (C):

- gr = RAL 7024 (dark grey)
- bl = RAL 5013 (blue)

5. Choose the colour requested for the aluminium die-cast parts (D):

- 1 = RAL 9016 (pure white)
- 2 = RAL 9002 (grey white)

6. Specify the spring depending on the weight of your monitor/ device - only with height adjustable arms (X):

- 80 = 3 - 8 kg/ 6.6 - 17.6 lbs
- 95 = 5 - 11 kg/ 11 - 24.3 lbs
- 130 = 9 - 14 kg/ 19.8 - 30.9 lbs
- 175 = 13 - 18 kg/ 28.7 - 39.7 lbs
- 220 = 16 - 22 kg/ 35.3 - 48.5 lbs

EXAMPLE

1 Area of application	2 Arm version	3 Fixing	4 & 5 Colour	6 Spring tension	YOUR NOTES
Z	- 431Q	- Y	. CD	- X	Replace
S	- 431Q	- 4V	. gr1	- 80	Example



VESA ADAPTER PLATE QUICK RELEASE

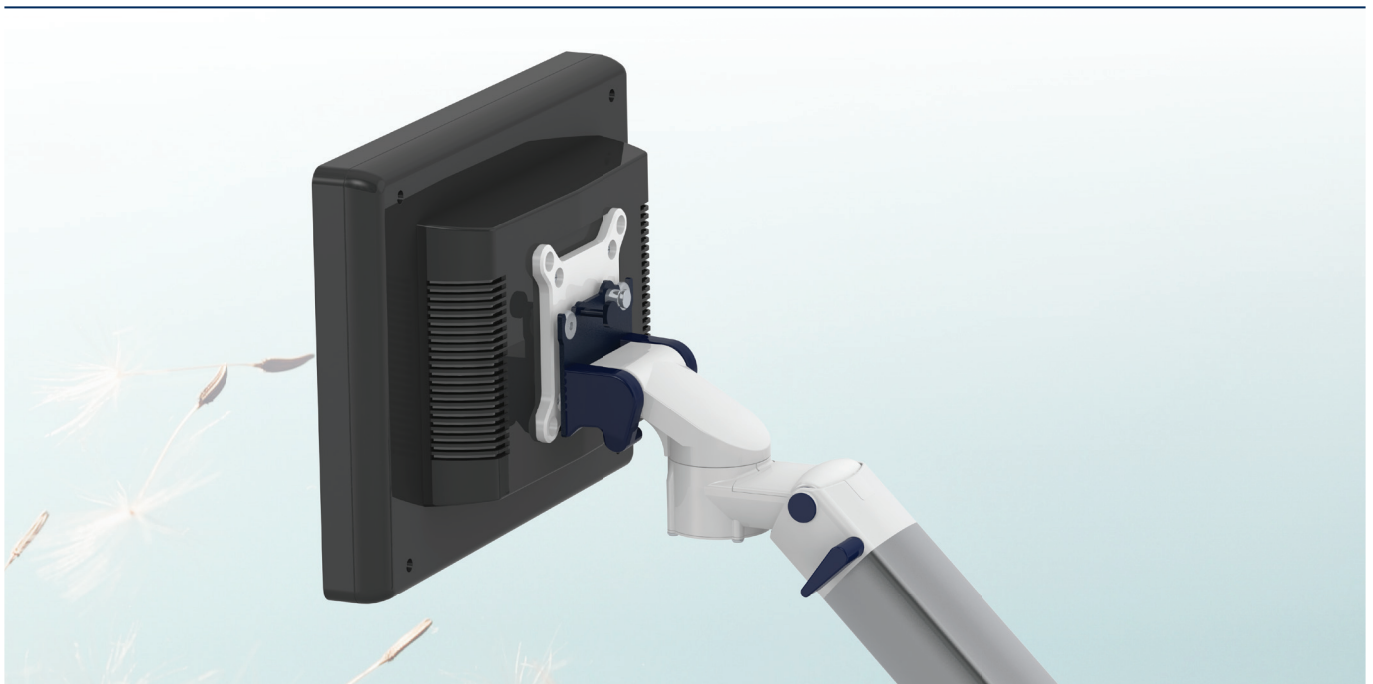
VESA 75 adapter plate quick release (Q)

This adapter plate accords a screw connection with the monitor's VESA 75 x 75 bore pattern. The adapter plate will be sent alongside each Q arm version order.



VESA 75/ 100 adapter plate quick release (Q1)

This adapter plate accords a screw connection with the monitor's VESA 75 x 75 and VESA 100 x 100 bore pattern. The adapter plate will be sent alongside each Q1 arm version order.



PRODUCT HIGHLIGHTS

Non-height adjustable arm

The articulating arm offers **full cable integration**, easy-to-clean, one-wipe surfaces for cleaning and **infection control**, a **6-fold safety** factor and a **5 years warranty** on the entirety of the arm. It provides a pivot point at the fixing and the middle for **lateral adjustment** and a **tilt/ swivel function** for optimal monitor positioning. For all bottom-mounted devices the arm comes with a 20° angle **tilt stop** for safety. Arms used for anaesthesia applications are equipped components' grounding for **electrical safety**.

Height adjustable arm

The CIM height adjustable arm offers **full cable integration**, easy-to-clean, one-wipe surfaces for cleaning and **infection control**, a **6-fold safety** factor and a **5 years warranty** on the entirety of the arm. It is **vertically and laterally adjustable** and provides a **tilt/ swivel function** for optimal monitor positioning. Parallel linkage guarantees a **constant viewing angle** at any position. The monitor stays parallel to the floor at all times. The **slow-flowing gas spring** is **counter balanced** within the weight range indicated. **No adjustment** is required. For all bottom-mounted devices the arm comes with a 20° angle **tilt stop** for safety. Arms used for anaesthesia applications are equipped components' grounding for **electrical safety**.

SAFETY

To provide the perfect combination of arm and monitor, the CIM articulated height adjustable arm has a simply quarter-turn lock to hold the arm safely in position when removing the monitor. Furthermore the arm is equipped with the unique safety feature of a slow-release gas spring. Should anybody try to remove the monitor before locking the arm in position, our arm will only rise at a slow and even tempo.





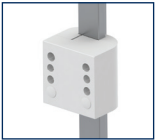







FLUSH MOUNT

Monitor adaption	VESA 75, VESA 75/ 100, Quick Release	
Colours to choose	decorative parts: RAL 5013 blue / RAL 7024 dark grey aluminum parts: RAL 9016 pure white / RAL 9002 grey white	
Maximum weight	18 kg/ 39.7 lbs (6-fold safety)	
Part number	Z-910Q-Y.CD	VESA 75
	Z-910Q1-Y.CD	VESA 75/ 100



Fixings

Y / details page 28

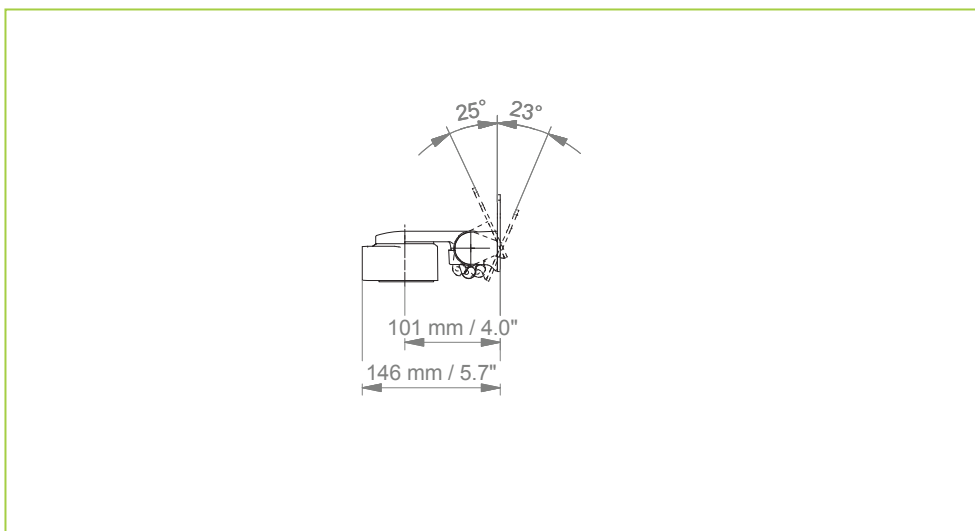
 4V	 2 2W 2K	 3	 3DR 3TX	 1 1F 1C 1V	 8 81 82
 10	 9	 4	 4V	Dräger: DR-J01 GE: DX-AES-01 Maquet: MQ-01 / MQ-02	
Adapter for vertical wall channel	Universal rail clamp	Vertical rail clamp	Dual vertical rail clamp	Fixed / universal pole clamp	Lateral adapter Trumpf
Adapter for Maquet anaesthesia machines	Adapter for Heinen & Löwenstein anaesthesia machines	Adapter for anaesthesia machines, with existing side channel (all suppliers)	Adapter for Dräger, GE, Maquet anaesthesia machines		



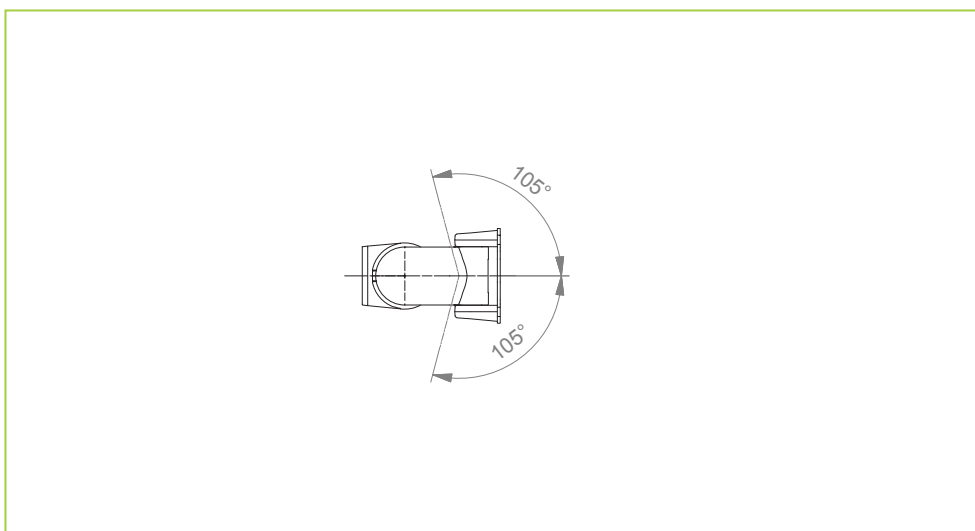
FLUSH MOUNT

Technical data

Side view



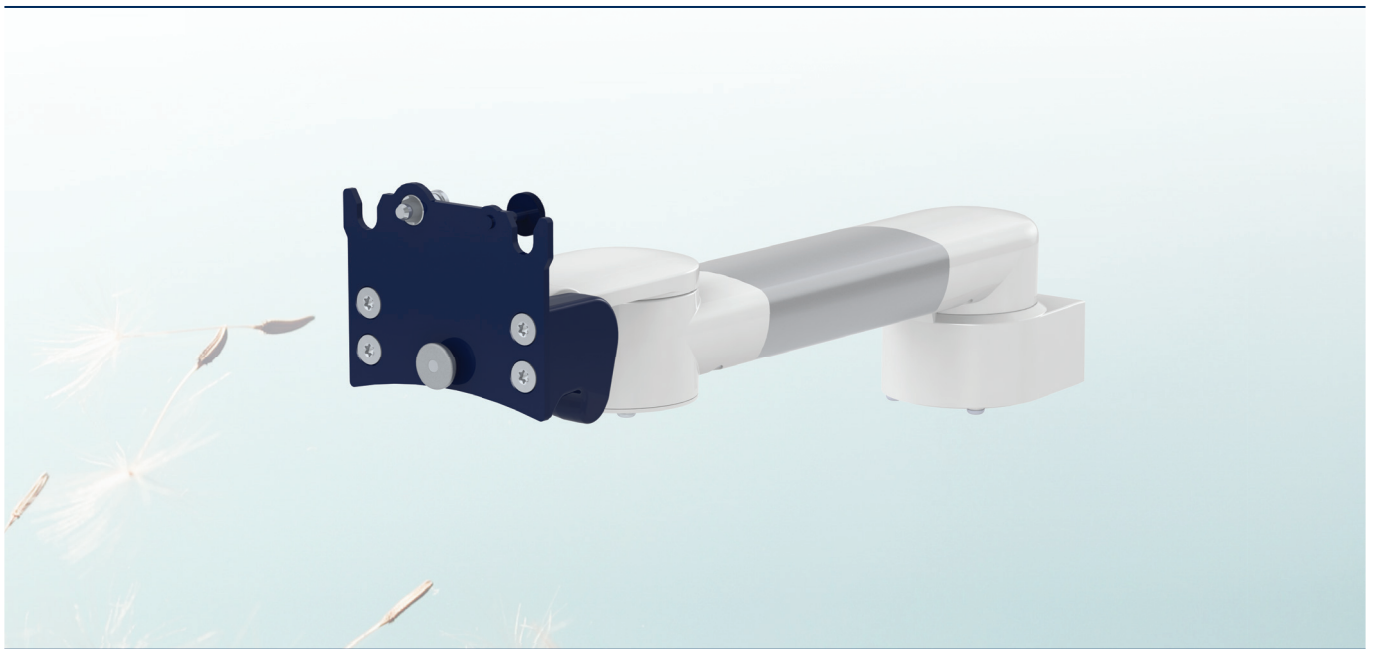
Top view





SUPPORT ARM PIVOT

Monitor adaption	VESA 75, VESA 75/ 100, Quick Release		
Colours to choose	decorative parts: RAL 5013 blue / RAL 7024 dark grey aluminum parts: RAL 9016 pure white / RAL 9002 grey white		
Maximum weight	18 kg/ 39.7 lbs (6-fold safety)		
Part number	arm length 240 mm/ 9.5"	arm length 300 mm/ 11.8"	
	Z-224Q-Y.CD	Z-230Q-Y.CD	VESA 75
	Z-224Q1-Y.CD	Z-230Q1-Y.CD	VESA 75/ 100



Fixings

Y / details page 28



4V

Adapter for vertical wall channel



2

2W
2K

Universal rail clamp



3

Vertical rail clamp



3DR

3TX

Dual vertical rail clamp



1

1F
1C
1V

Fixed / universal pole clamp



8

81
82

Lateral adapter Trumpf



11L

14R

14L

Adapter for Philips anaesthesia machines



10

Adapter for Maquet anaesthesia machines



9

Adapter for Heinen & Löwenstein anaesthesia machines



4

Adapter for anaesthesia machines, with existing side channel (all suppliers)



4V

Dräger: DR-J01
GE: DX-AES-01
Maquet: MQ-01 / MQ-02

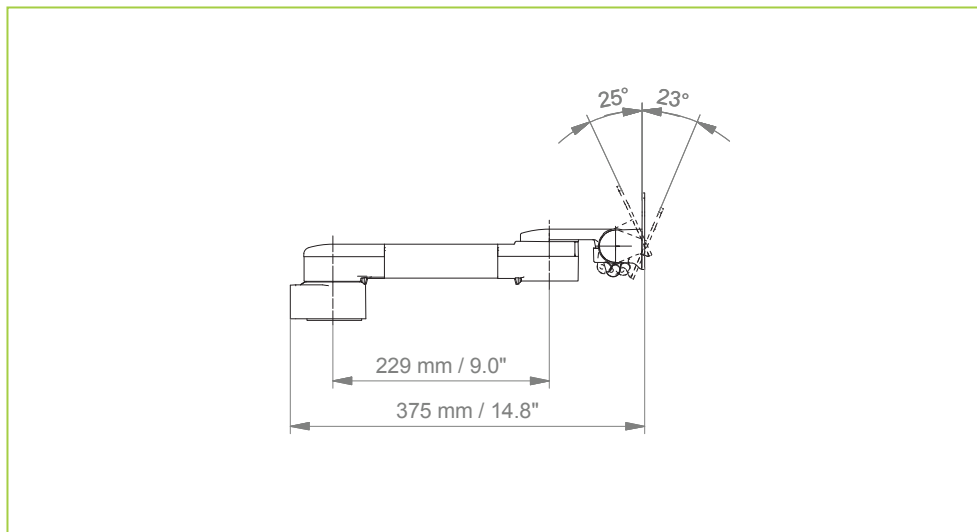
Adapter for Dräger, GE, Maquet anaesthesia machines



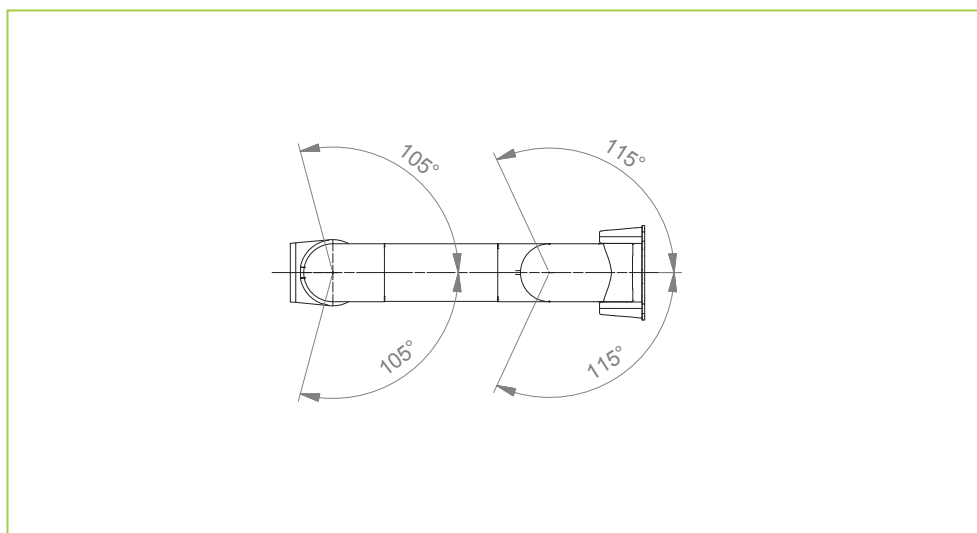
SUPPORT ARM PIVOT

Technical data – arm length 300 mm / 11.8"

Side view



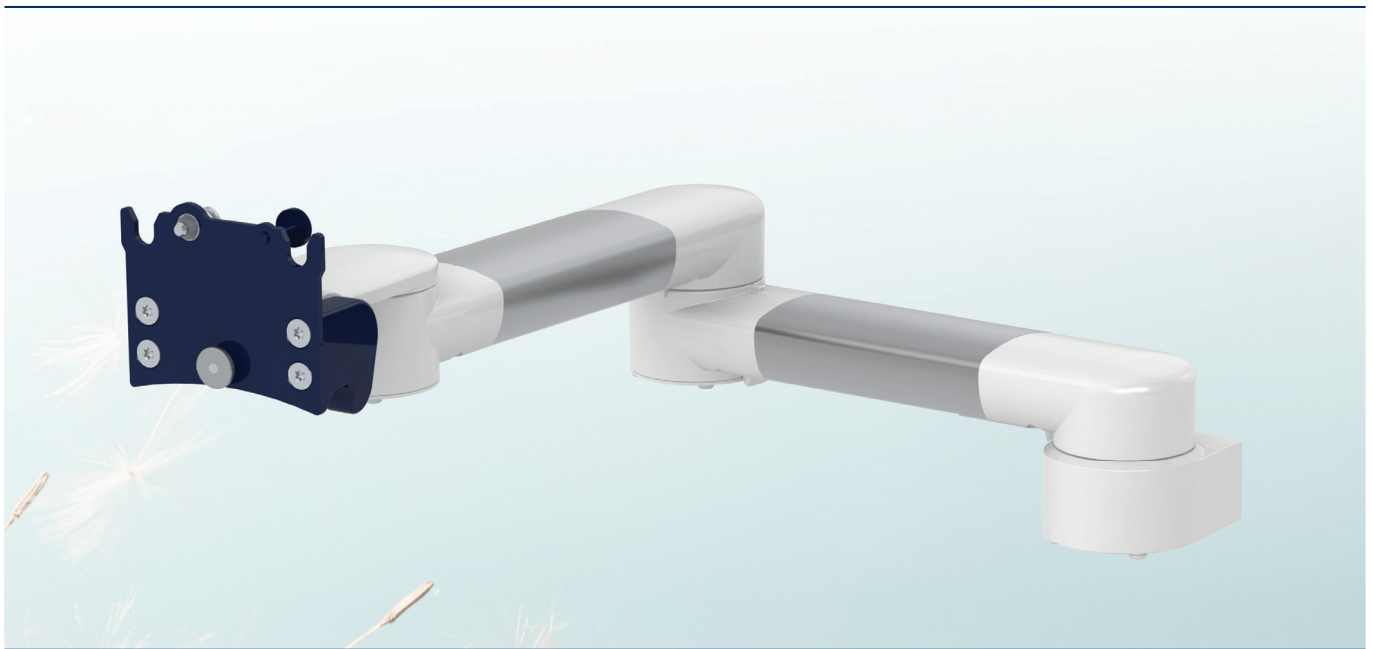
Top view





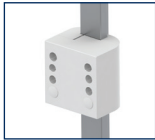










ARTICULATING ARM

Monitor adaption	VESA 75, VESA 75/ 100, Quick Release	
Colours to choose	decorative parts: RAL 5013 blue / RAL 7024 dark grey aluminum parts: RAL 9016 pure white / RAL 9002 grey white	
Maximum weight	240 x 240 mm: 15 kg/ 9.5 x 9.5": 33.1 lbs (6-fold safety) 300 x 300 mm: 12.5 kg/ 11.8 x 11.8": 27.6 lbs (6-fold safety)	
Part number	arm length 240 x 240 mm/ 9.5 x 9.5"	arm length 300 x 300 mm/ 11.8 x 11.8"
	Z-32424Q-Y.CD	Z-33030Q-Y.CD VESA 75
	Z-32424Q1-Y.CD	Z-33030Q1-Y.CD VESA 75/ 100



Fixings Y / details page 28

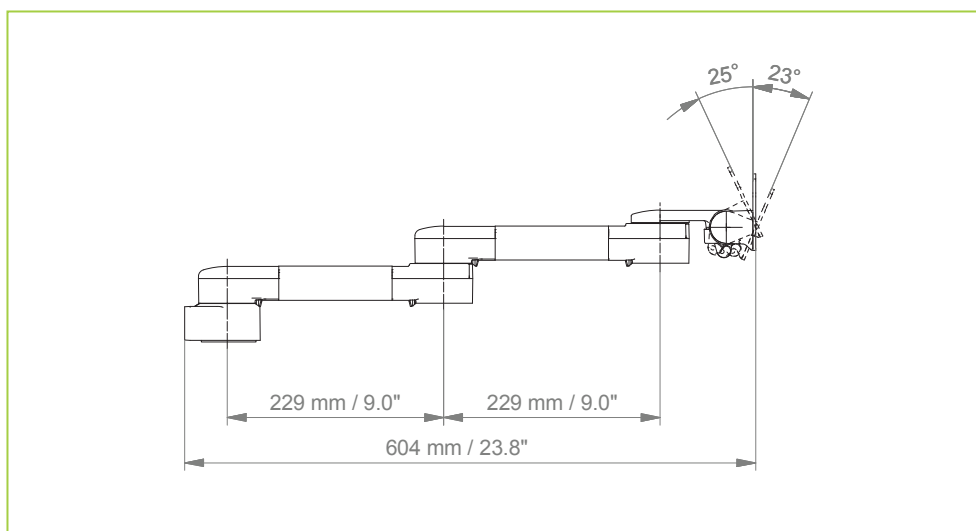
 4V	 2 2W 2K	 3	 3DR 3TX	 1 1F 1C 1V	 8 81 82
Adapter for vertical wall channel	Universal rail clamp	Vertical rail clamp	Dual vertical rail clamp	Fixed / universal pole clamp	Lateral adapter Trumpf
 11L 14R 14L	 10	 9	 4	 4V	Dräger: DR-J01 GE: DX-AES-01 Maquet: MQ-01 / MQ-02
Adapter for Philips anaesthesia machines	Adapter for Maquet anaesthesia machines	Adapter for Heinen & Löwenstein anaesthesia machines	Adapter for anaesthesia machines, with existing side channel (all suppliers)	Adapter for Dräger, GE, Maquet anaesthesia machines	



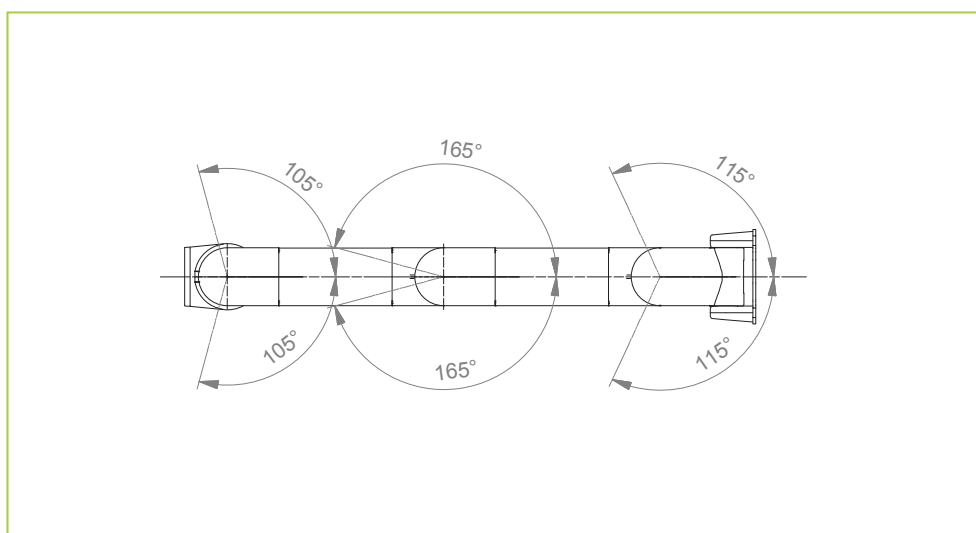
ARTICULATING ARM

Technical data – arm length 300 x 300 mm / 11.8 x 11.8"

Side view



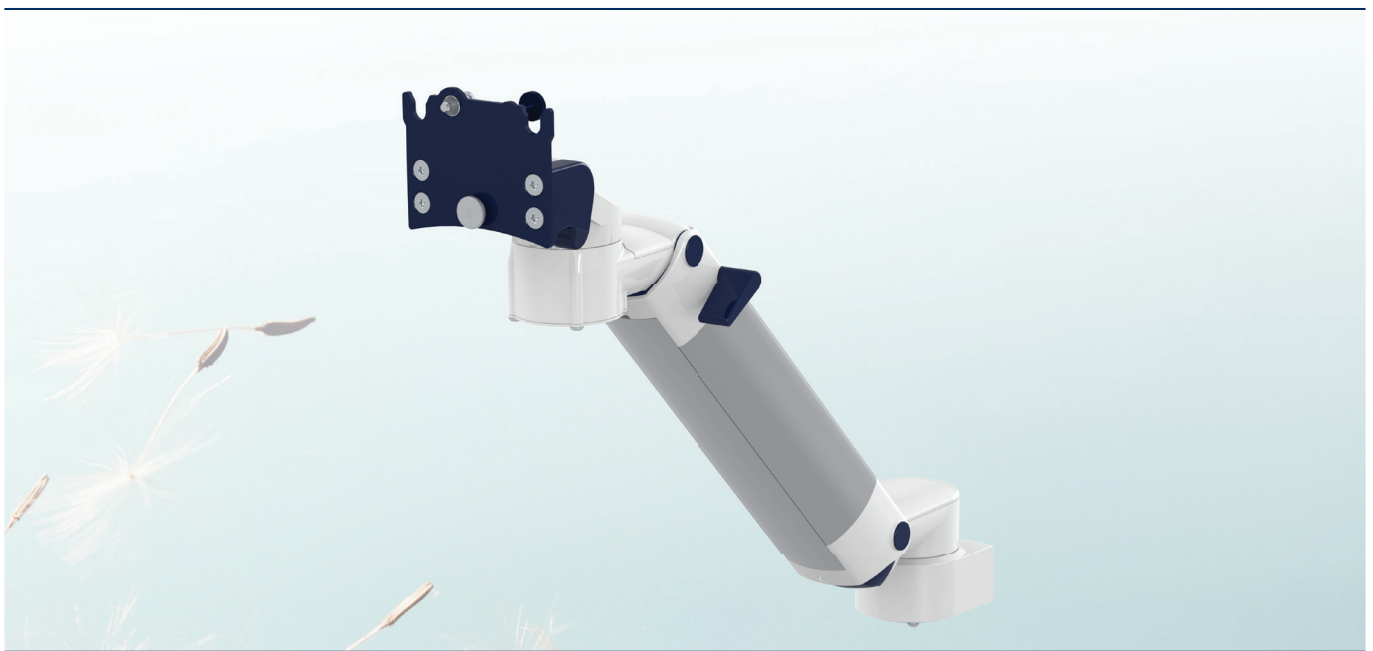
Top view












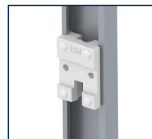



HEIGHT ADJUSTABLE ARM

Monitor adaption	VESA 75, VESA 75/ 100, Quick Release
Height adjustment	slow-flowing spring, parallel linkage for a constant viewing angle
Colours to choose	decorative parts: RAL 5013 blue / RAL 7024 dark grey aluminum parts: RAL 9016 pure white / RAL 9002 grey white
Maximum weight	800 N - 1300 N: 15 kg/ 33.1 lbs; from 1750 N: 22 kg/ 48.5 lbs (6-fold safety)
Spring tension	800 N (3 - 8 kg/ 6.6 - 17.6 lbs); 950 N (5 - 11 kg/ 11 - 24.3 lbs); 1300 N (9 - 14 kg/ 19.8 - 30.9 lbs); 1750 N (13 - 18 kg/ 28.7 - 39.7 lbs); 2200 N (16 - 22 kg/ 35.3 - 48.5 lbs)
Part number	Z-431Q-Y.CD_X VESA 75 Z-431Q1-Y.CD_X VESA 75/ 100



Fixings Y / details page 28

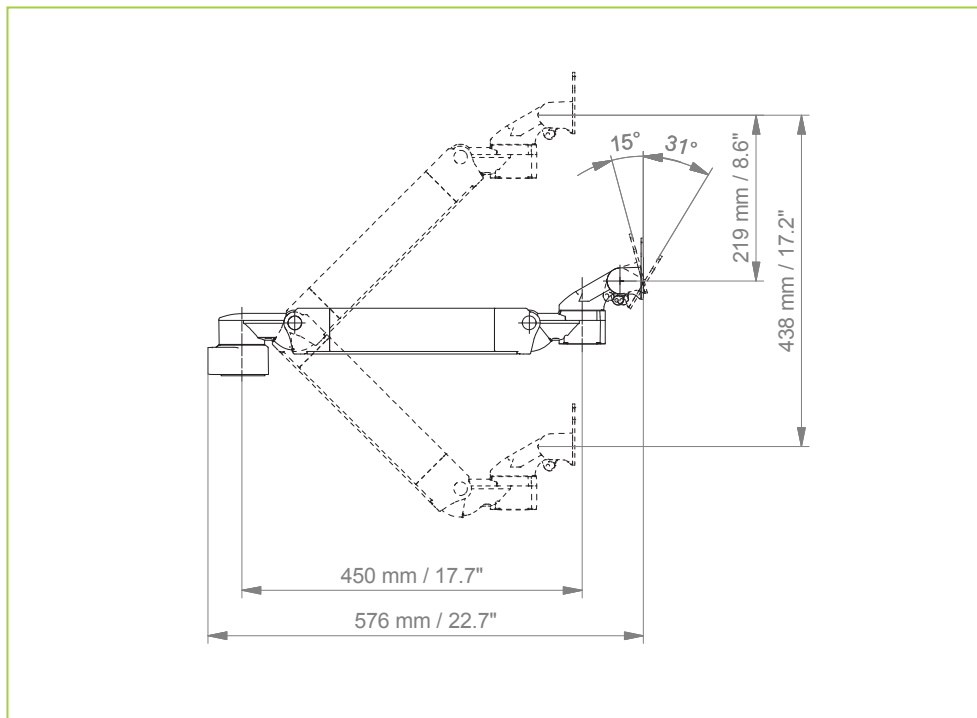
 4V	 2 2W 2K	 3	 3DR 3TX	 1 1F 1C 1V	 8 81 82
Adapter for vertical wall channel	Universal rail clamp	Vertical rail clamp	Dual vertical rail clamp	Fixed / universal pole clamp	Lateral adapter Trumpf
 11L 14R 14L	 10	 9	 4	 4V	Dräger: DR-J01 GE: DX-AES-01 Maquet: MQ-01 / MQ-02
Adapter for Philips anaesthesia machines	Adapter for Maquet anaesthesia machines	Adapter for Heinen & Löwenstein anaesthesia machines	Adapter for anaesthesia machines, with existing side channel (all suppliers)	Adapter for Dräger, GE, Maquet anaesthesia machines	



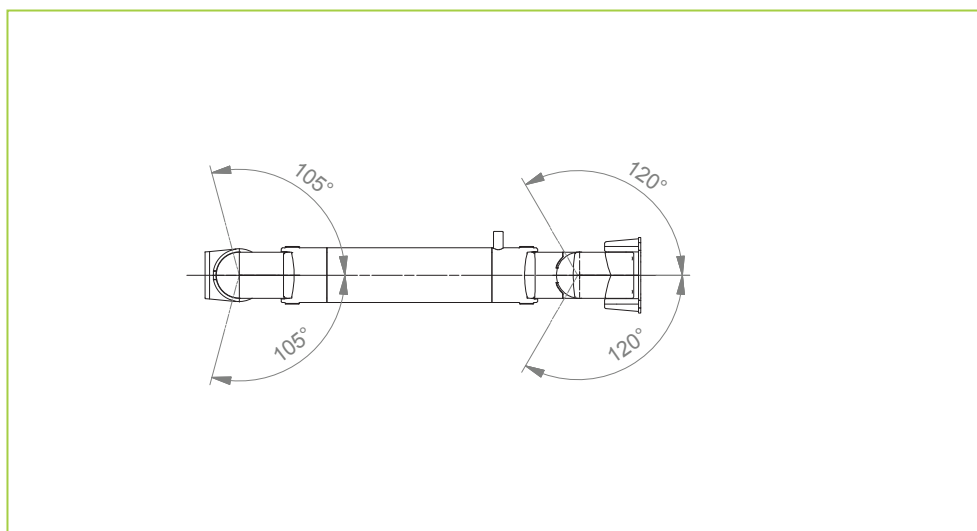
HEIGHT ADJUSTABLE ARM

Technical data

Side view



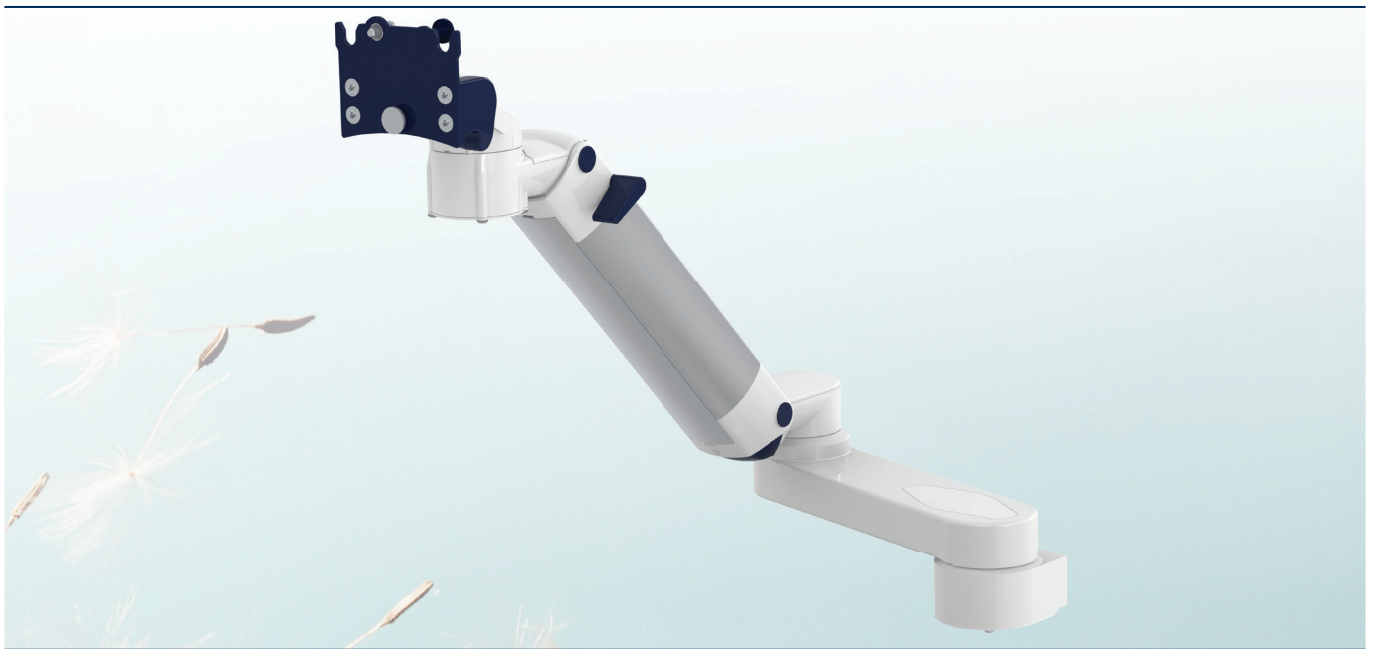
Top view





ARTICULATED HEIGHT ADJUSTABLE ARM

Monitor adaption	VESA 75, VESA 75/ 100, Quick Release
Height adjustment	slow-flowing spring, parallel linkage for a constant viewing angle
Colours to choose	decorative parts: RAL 5013 blue / RAL 7024 dark grey aluminum parts: RAL 9016 pure white / RAL 9002 grey white
Maximum weight	800 N - 1300 N: 15 kg/ 33.1 lbs; from 1750 N: 22 kg/ 48.5 lbs (6-fold safety)
Spring tension	800 N (3 - 8 kg/ 6.6 - 17.6 lbs); 950 N (5 - 11 kg/ 11 - 24.3 lbs); 1300 N (9 - 14 kg/ 19.8 - 30.9 lbs); 1750 N (13 - 18 kg/ 28.7 - 39.7 lbs); 2200 N (16 - 22 kg/ 35.3 - 48.5 lbs)
Part number	Z-73130Q-Y.CD_X VESA 75 Z-73130Q1-Y.CD_X VESA 75/ 100



Fixings

Y / details page 28



4V

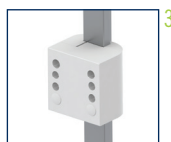
Adapter for vertical wall channel



2

2W
2K

Universal rail clamp



3

Vertical rail clamp



3DR

3TX

Dual vertical rail clamp



1

1F

1C

1V

Fixed / universal pole clamp



8

81

82

Lateral adapter Trumpf



11L

14R

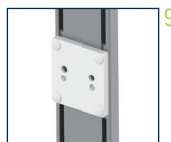
14L

Adapter for Philips anaesthesia machines



10

Adapter for Maquet anaesthesia machines



9

Adapter for Heinen & Löwenstein anaesthesia machines



4

Adapter for anaesthesia machines, with existing side channel (all suppliers)



4V

Dräger:

DR-J01

GE:

DX-AES-01

Maquet:

MQ-01 / MQ-02

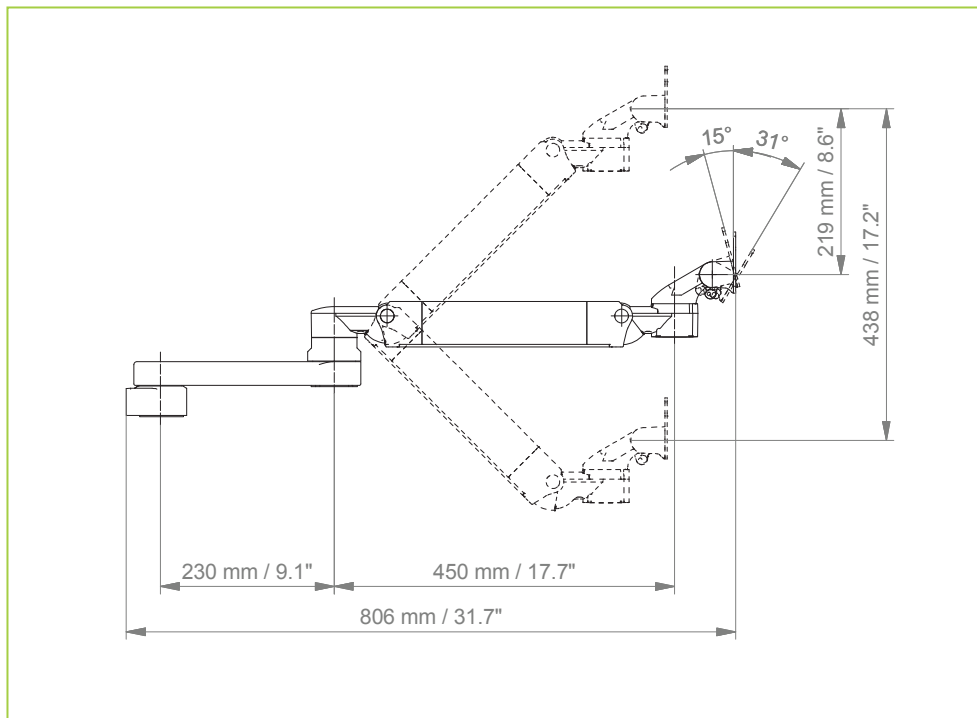
Adapter for Dräger, GE, Maquet anaesthesia machines



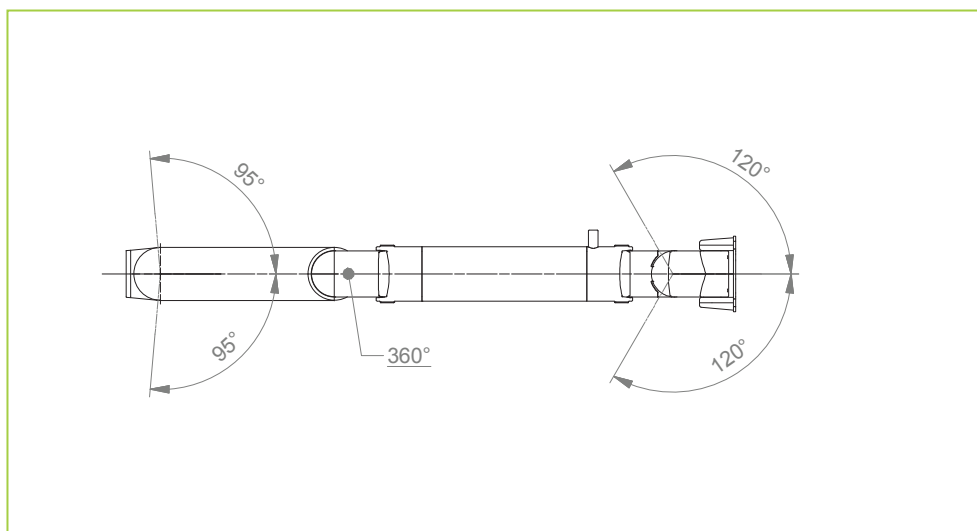
ARTICULATED HEIGHT ADJUSTABLE ARM

Technical data

Side view



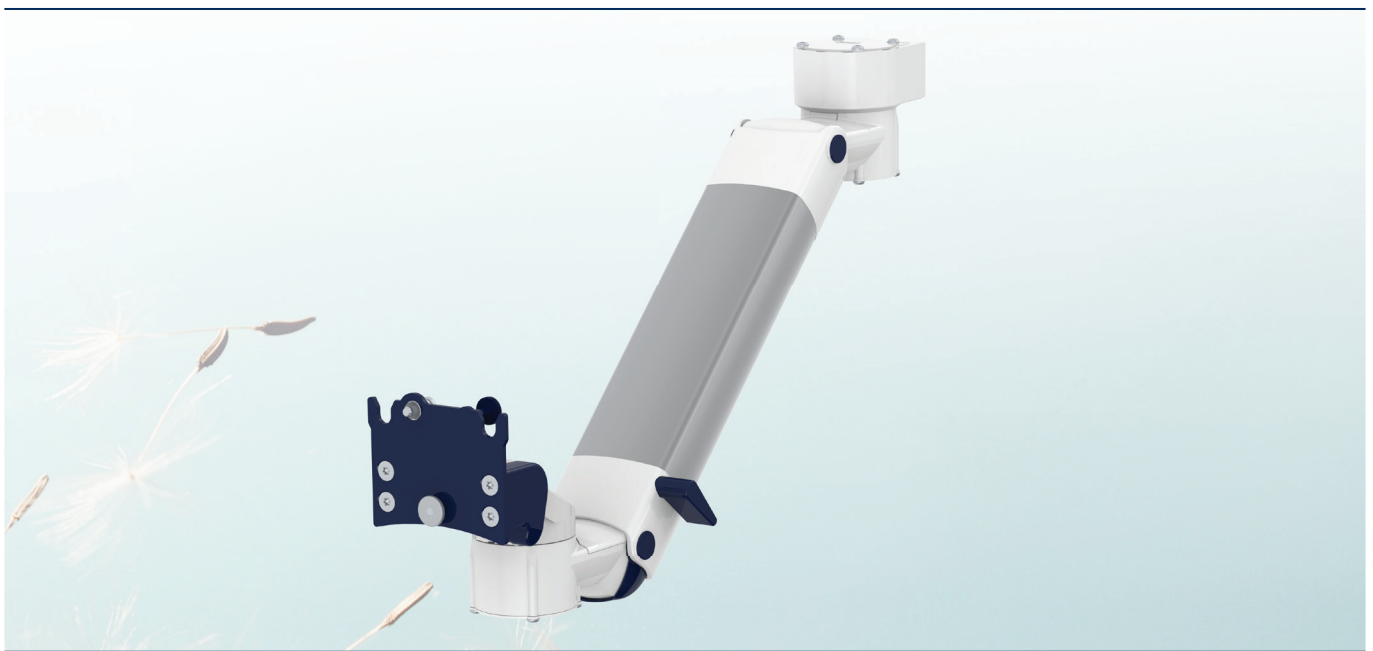
Top view





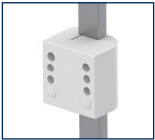










HIGH POSITION HEIGHT ADJUSTABLE ARM

Monitor adaption	VESA 75, VESA 75/ 100, Quick Release
Height adjustment	slow-flowing spring, parallel linkage for a constant viewing angle
Colours to choose	decorative parts: RAL 5013 blue / RAL 7024 dark grey aluminum parts: RAL 9016 pure white / RAL 9002 grey white
Maximum weight	22 kg/ 48.5 lbs (6-fold safety)
Spring tension	800 N (3 - 8 kg/ 6.6 - 17.6 lbs); 950 N (5 - 11 kg/ 11 - 24.3 lbs); 1300 N (9 - 14 kg/ 19.8 - 30.9 lbs); 1750 N (13 - 18 kg/ 28.7 - 39.7 lbs); 2200 N (16 - 22 kg/ 35.3 - 48.5 lbs)
Part number	Z-531Q-Y.CD_X VESA 75 Z-531Q1-Y.CD_X VESA 75/ 100



Fixings Y / details page 28

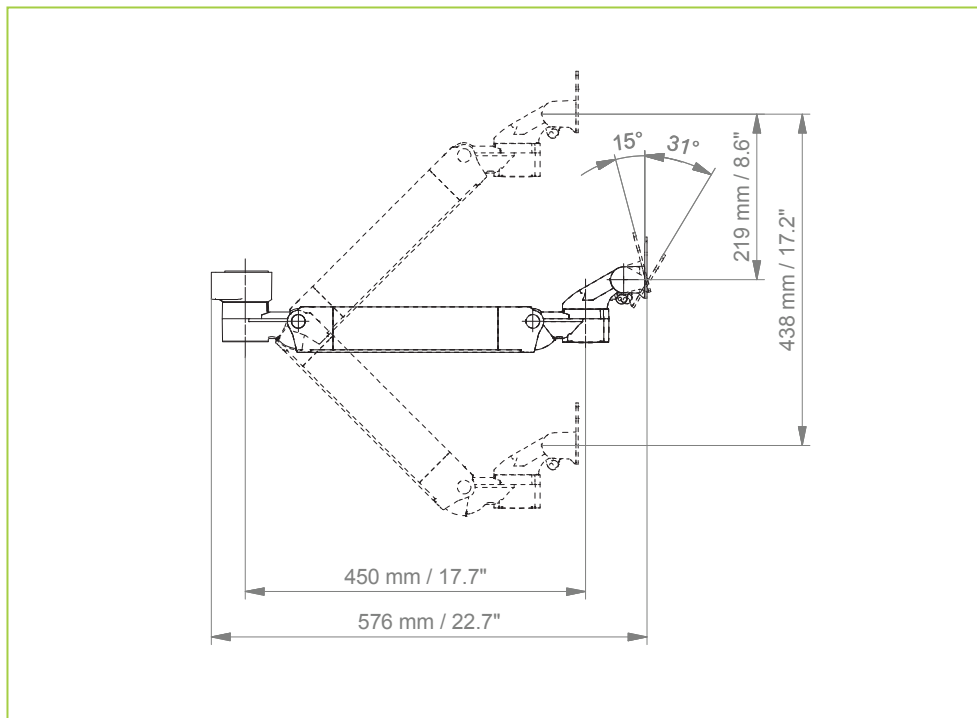
 4V	 2 2W 2K	 3	 3DR 3TX	 1 1F 1C 1V	 8 81 82
Adapter for vertical wall channel	Universal rail clamp	Vertical rail clamp	Dual vertical rail clamp	Fixed / universal pole clamp	Lateral adapter Trumpf
 11L 14R 14L	 10	 9	 4	 4V	Dräger: DR-J01 GE: DX-AES-01 Maquet: MQ-01 / MQ-02
Adapter for Philips anaesthesia machines	Adapter for Maquet anaesthesia machines	Adapter for Heinen & Löwenstein anaesthesia machines	Adapter for anaesthesia machines, with existing side channel (all suppliers)	Adapter for Dräger, GE, Maquet anaesthesia machines	



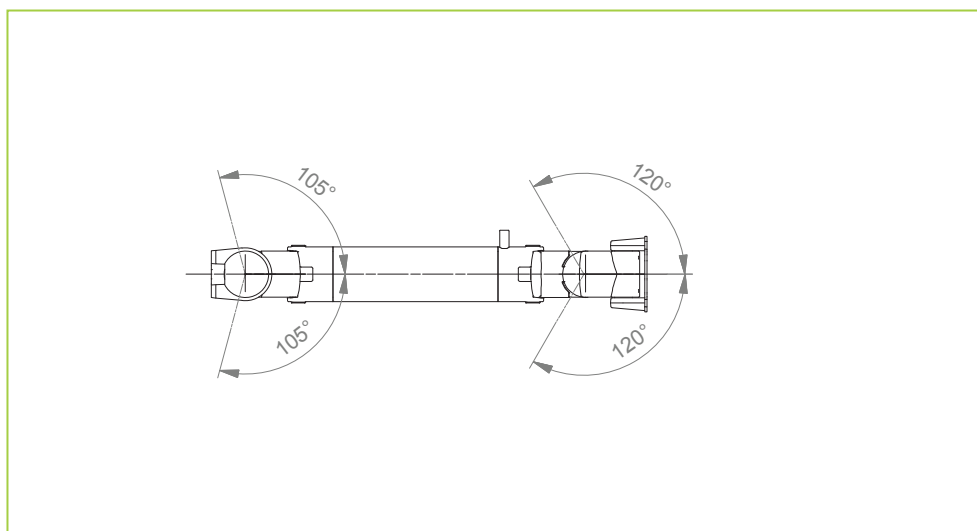
HIGH POSITION HEIGHT ADJUSTABLE ARM

Technical data

Side view



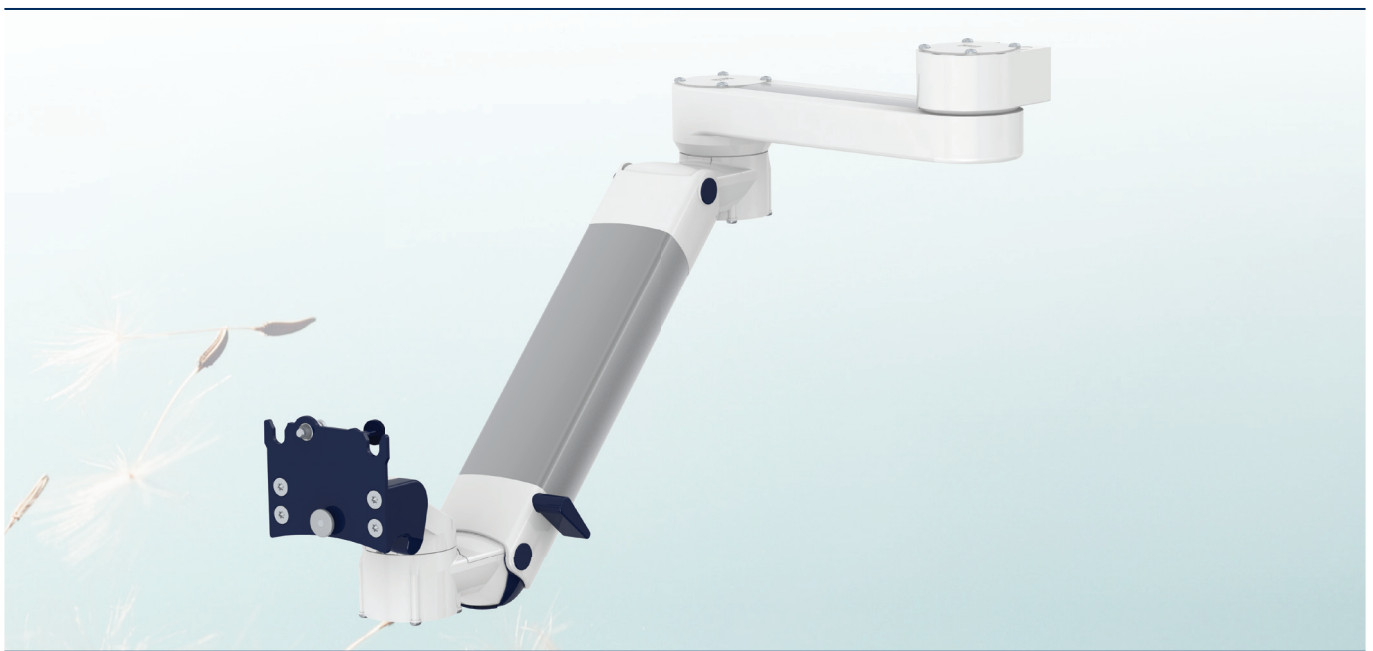
Top view





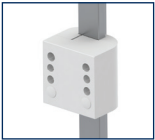










HIGH POSITION ARTICULATED HEIGHT ADJUSTABLE ARM

Monitor adaption	VESA 75, VESA 75/ 100, Quick Release
Height adjustment	slow-flowing spring, parallel linkage for a constant viewing angle
Colours to choose	decorative parts: RAL 5013 blue / RAL 7024 dark grey aluminum parts: RAL 9016 pure white / RAL 9002 grey white
Maximum weight	22 kg (6-fold safety)
Spring tension	800 N (3 - 8 kg); 950 N (5 - 11 kg); 1300 N (9 - 14 kg); 1750 N (13 - 18 kg); 2200 N (16 - 22 kg)
Part number	Z-83130Q-Y.CD_X VESA 75 Z-83130Q1-Y.CD_X VESA 75/ 100



Fixings Y / details page 28

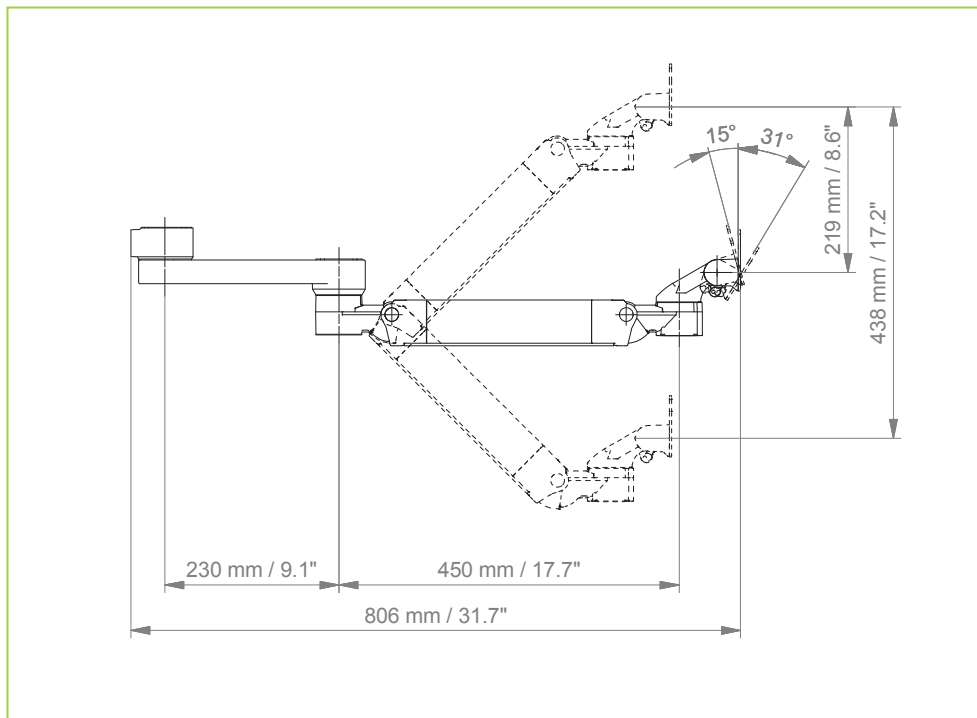
 4V	 2 2W 2K	 3	 3DR 3TX	 1 1F 1C 1V	 8 81 82
Adapter for vertical wall channel	Universal rail clamp	Vertical rail clamp	Dual vertical rail clamp	Fixed / universal pole clamp	Lateral adapter Trumpf
 11L 14R 14L	 10	 9	 4	 4V	Dräger: DR-J01 GE: DX-AES-01 Maquet: MQ-01 / MQ-02
Adapter for Philips anaesthesia machines	Adapter for Maquet anaesthesia machines	Adapter for Heinen & Löwenstein anaesthesia machines	Adapter for anaesthesia machines, with existing side channel (all suppliers)	Adapter for Dräger, GE, Maquet anaesthesia machines	



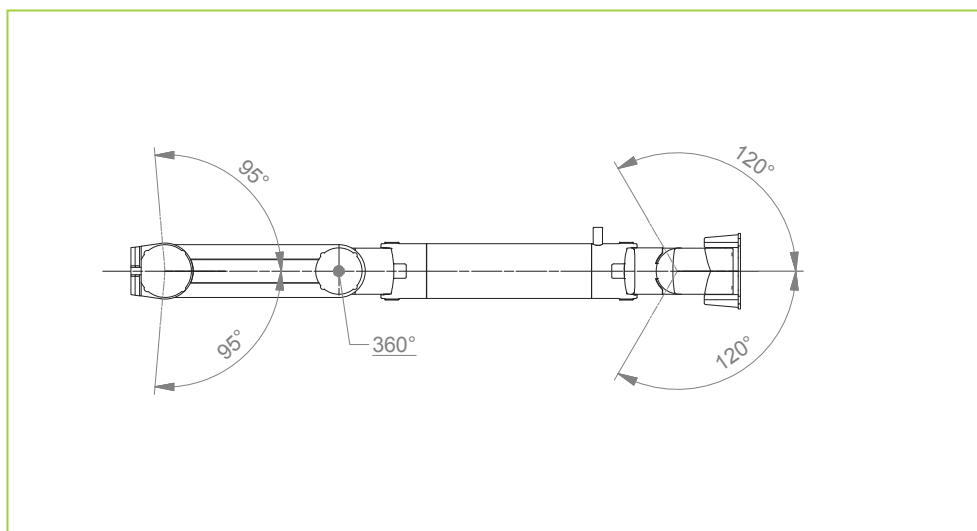
HIGH POSITION ARTICULATED HEIGHT ADJUSTABLE ARM

Technical data

Side view



Top view





COUNTER TOP

Monitor adaption

VESA 75, VESA 75/ 100, Quick Release

Colours to choose

decorative parts: RAL 5013 blue / RAL 7024 dark grey

aluminum parts: RAL 9016 pure white / RAL 9002 grey white

Maximum weight

18 kg/ 39.7 lbs (6-fold safety)

Part number

Counter top with base plate to mount to desk or even surfaces

VESA 75	VESA 75/ 100	Height
T-60Q.CD_22	T-60Q1.CD_22	220 mm
T-60Q.CD_28	T-60Q1.CD_28	280 mm
T-60Q.CD_34	T-60Q1.CD_34	340 mm

Counter top free-standing (see illustration)

VESA 75	VESA 75/ 100	Height
T-61Q.CD_22	T-61Q1.CD_22	220 mm
T-61Q.CD_28	T-61Q1.CD_28	280 mm
T-61Q.CD_34	T-61Q1.CD_34	340 mm

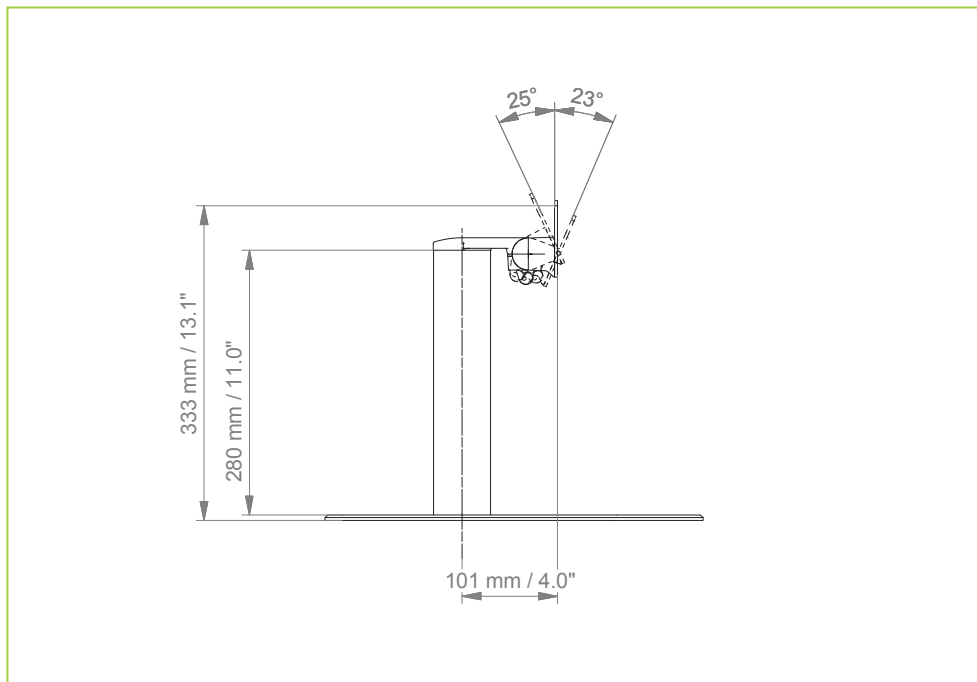




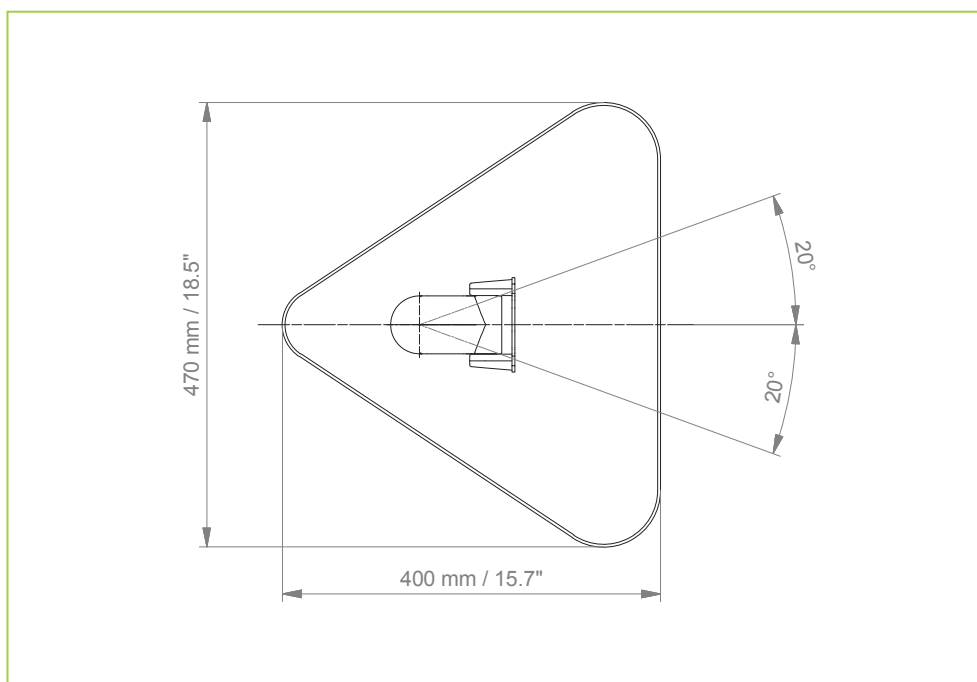
COUNTER TOP

Technical data – free-standing

Side view



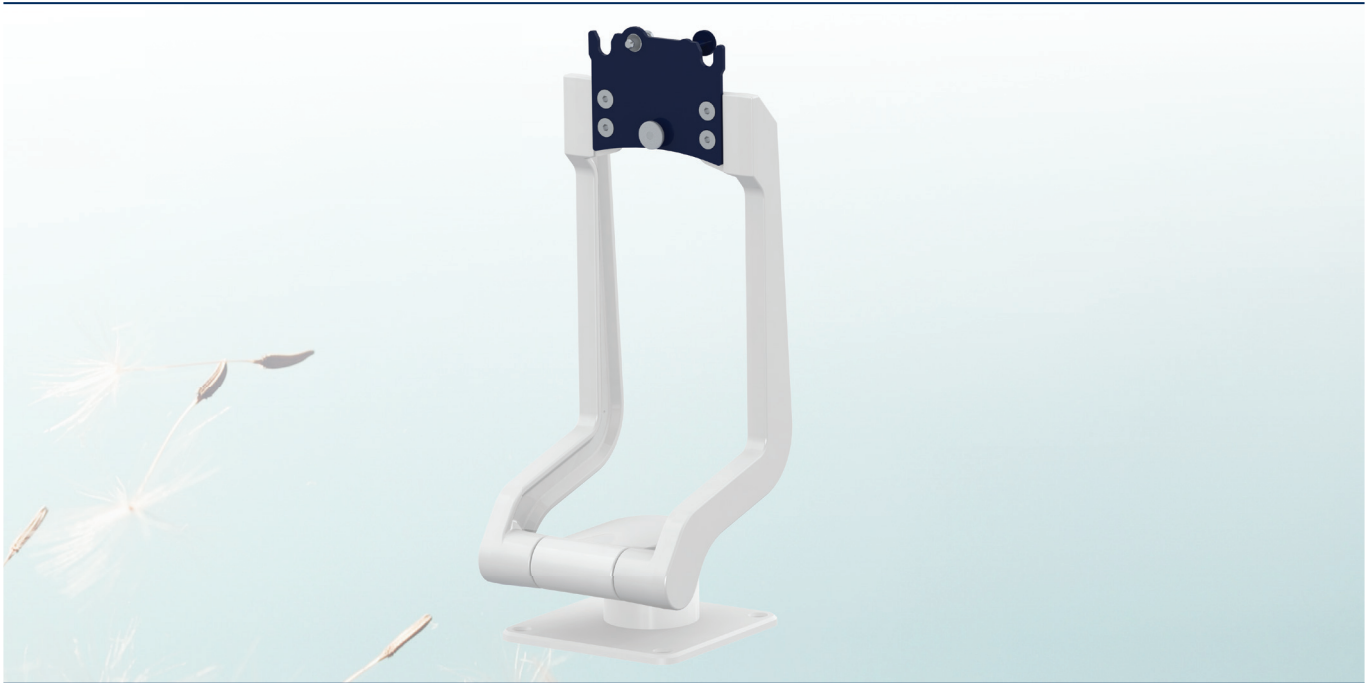
Top view





COUNTER TOP FOR HEAVY MONITORS

Monitor adaption	CL-Bracket, VESA 75, VESA 75/ 100, Quick Release
Colours to choose	decorative parts: RAL 5013 blue / RAL 7024 dark grey aluminum parts: RAL 9016 pure white / RAL 9002 grey white
Maximum weight	30 kg/ 66.2 lbs (6-fold safety)
Part number	Counter top with base plate to mount to desk or even surfaces (see illustration)
	VESA 75 VESA 75/ 100
	T-60KQ.CD_05 T-60KQ1.CD_05
	Counter top free-standing
	VESA 75 VESA 75/ 100
	T-62KQ.CD_05 T-62KQ1.CD_05

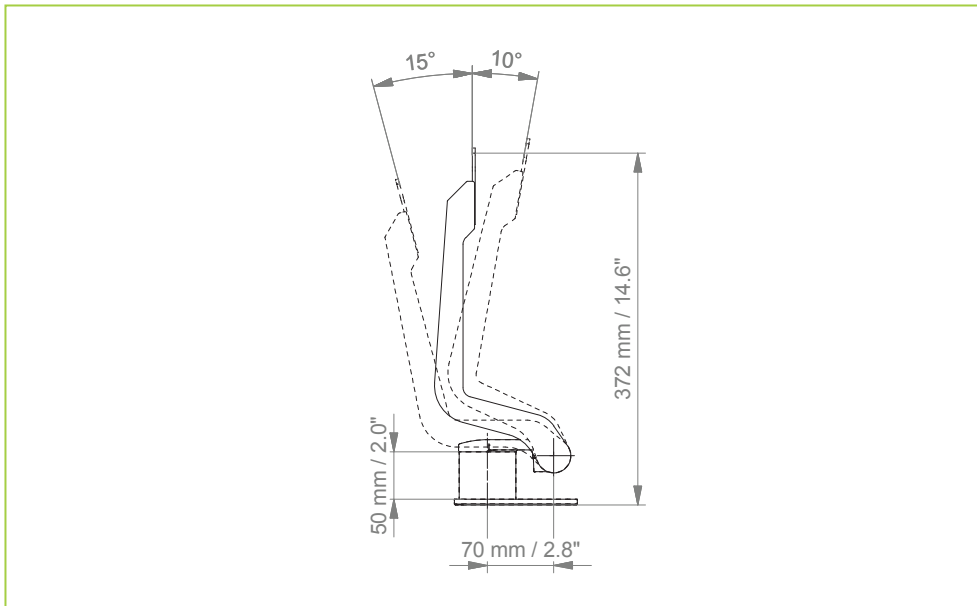




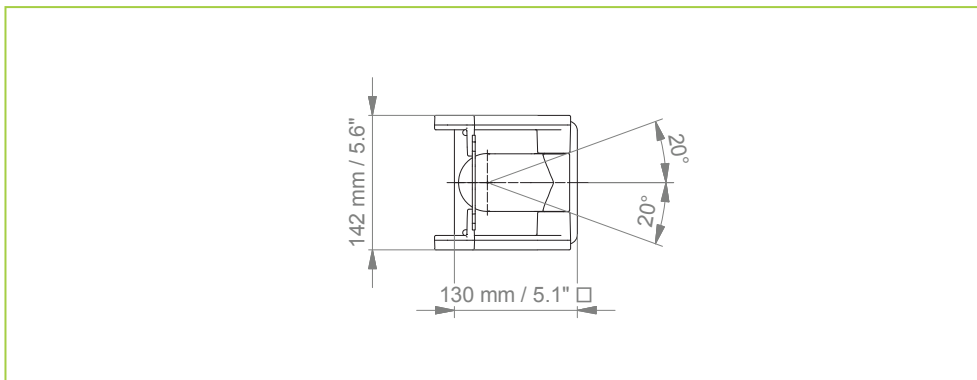
COUNTER TOP FOR HEAVY MONITORS

Technical data – with base plate

Side view



Top view





CART LIGHT DUTY

- 5-star base aluminum base with counter weight
- double wheel castors, \varnothing 100 mm/ 3.9", 2 lockable
- column to accept components and accessories on opposite sides
- monitor adaption CL-Bracket, VESA 75, VESA 75/ 100, Quick Release
- colours to choose:
decorative parts: RAL 5013 blue / RAL 7024 dark grey
base: RAL 9016 pure white (part no. code 1) / RAL 5013 blue (part no. code 6)
- basket big 300 x 200 x 180 mm/ 11.8 x 7.9 x 7.1"
- basket small 200 x 150 x 100 mm/ 7.9 x 5.9 x 3.9"
- handle
- maximum weight: 14 kg/ 30.9 lbs

Part number	Cart VESA 75	R-002KQ.CD
	Cart VESA 75/ 100	R-002KQ1.CD
	Basket big	Z-51-4Z
	Basket small	Z-52-4Z
	Handle	Z-HD-01

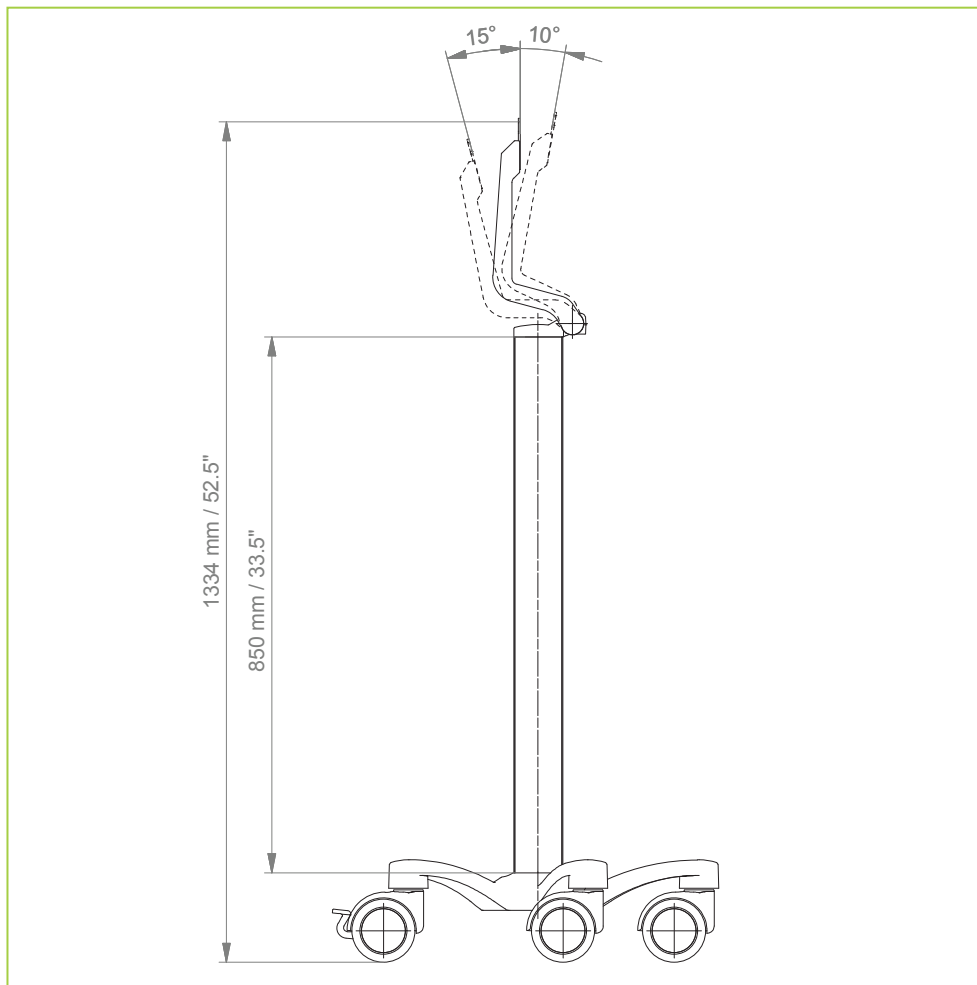




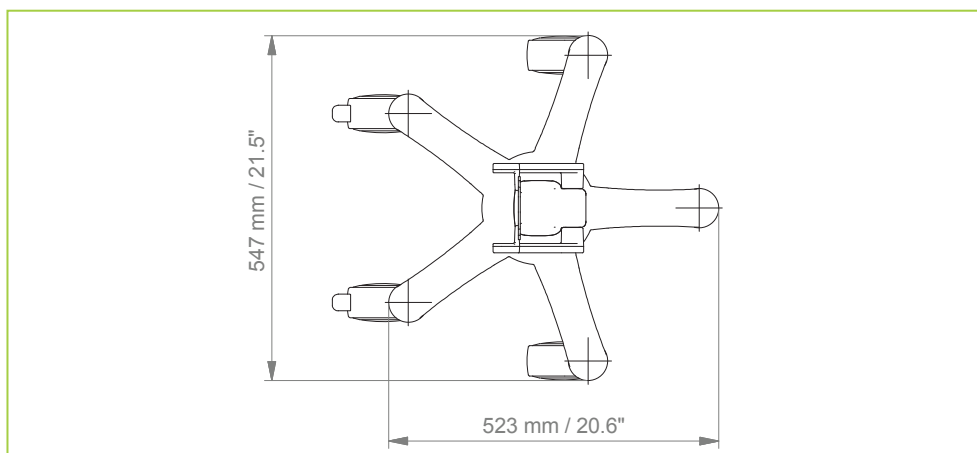
CART LIGHT DUTY

Technical data

Side view









Top view





FIXINGS



Illustration	Description	Notes	Part. no
	Adapter for vertical wall channel	H 115 mm/ 4.5" To mount to CIM wall channel (compatible with GCX channel) Please order separately: CIM wall channel, see catalogue accessoires	4V
	Universal rail clamp with quick release	To mount to horizontal European rails 10 x 25, 8 x 35, 10 x 30, 10 x 50 mm Scandinavian rails Uniflex, Duoflex and Modura (without distance to wall) Scandinavian rails Uniflex, Duoflex and Modura (with distance to wall)	2 2W 2K
	Vertical rail clamp	To mount to vertical European rail 10 x 25 mm	3
	Dual vertical rail clamp	To mount to two parallel vertical European rails 10 x 25, 8 x 35, 10 x 30, 10 x 50 mm Distance between rails 150 mm/ 5.9", e.g. Dräger pendant Distance between rails 225 mm/ 8.9", e.g. Trilux pendant	3DR 3TX
	Fixed pole clamp	To mount to pole \varnothing 25 mm/ 1.0" To mount to pole \varnothing 35 mm/ 1.4" To mount to pole \varnothing 38 mm/ 1.5"	1 1F 1C
	Universal pole clamp	V-block to mount to pole \varnothing 23 - 40 mm/ 0.9 - 1.6"	1V
	Lateral adapter	For Trumpf klinoPORT ceiling pendant For Trumpf ceiling pendant ML For Trumpf klinoPORT frontal	8 81 82



FIXINGS FOR ANAESTHESIA MACHINES



Illustration	Description	Notes	Part. no
	Adapter for Philips IntelliSave AX700 anaesthesia machines	Sinistral: suport arm pivot and height adjustable arms for monitoring Sinistral: all articulating arm for monitoring Dexter: all articulating arm for PDMS	11L 14L 14R
	Adapter for Maquet anaesthesia machines	Cone adapter for Maquet FLOW i	10
	Adapter for Heinen & Löwenstein anaesthesia machines	Adapter for Leon/ Leon plus	9
	Adapter for anaesthesia machines (all suppliers)	With existing side channel H 80 mm/ 3.1"	4
	Adapter for Dräger 	Dräger Primus/ Julian/ Cato/ Fabius GS/ Zeus Please order separately: side channel adapter L 127 mm/ 5" Please order separately: side channel adapter L 320 mm/ 12.6"	4V DR-J01 DR-J02
	Adapter for GE 	GE Avance/ Aespire/ Aestiva Please order separately: side channel adapter L 200 mm/ 7.9"	4V DX-AES-01
	Adapter for Maquet 	Maquet Flow i Please order separately: side channel adapter L 127 mm/ 5" Please order separately: side channel adapter L 320 mm/ 12.6"	4V MQ-01 MQ-02



CIM med GmbH
Euro-Industriepark
Margot-Kalinke-Str. 9
80939 Munich/ Germany

Phone: +49 89. 978 94 08-0
Telefax: +49 89. 978 94 08-29
E-mail: info@cim-med.com
Web: www.cim-med.com